

EANCOM[®] 2002 S3

FINCAN

Financial cancellation message

Edition 2016

1. Introduction.....	2
2. Message Structure Chart	3
3. Branching Diagram.....	4
4. Segments Description	6
5. Segments Layout.....	8
6. Example(s)	24

1. Introduction

Status

MESSAGE TYPE :FINCAN
REFERENCE DIRECTORY : D.01B
EANCOM® SUBSET VERSION : 003

Definition

A Financial Cancellation Message is sent by the Ordering Customer (or Payor or Agent on behalf of the Ordering Customer) or by a third party having authority on the Ordering Customer's payments to the Ordered Bank to request cancellation of a previously sent financial message(s), or one or many orders contained within a previously sent financial message(s).

Principles

This message may contain one or many cancellation instructions.

The message may be used to cancel;

- a message within an interchange;
- a single transaction within a multiple message.

A Financial Cancellation message must always be responded to by a Banking Status message.

2. Message Structure Chart

Financial Cancellation Heading Section

UNH	1	M	1	- Message header
BGM	2	M	1	- Beginning of message
DTM	3	M	1	- Date/time/period
SG2		C	5	- FII
FII	4	M	1	- Financial institution information
SG3		C	3	- NAD-CTA-COM
NAD	5	M	1	- Name and address
CTA	6	C	1	- Contact information
COM	7	C	5	- Communication contact

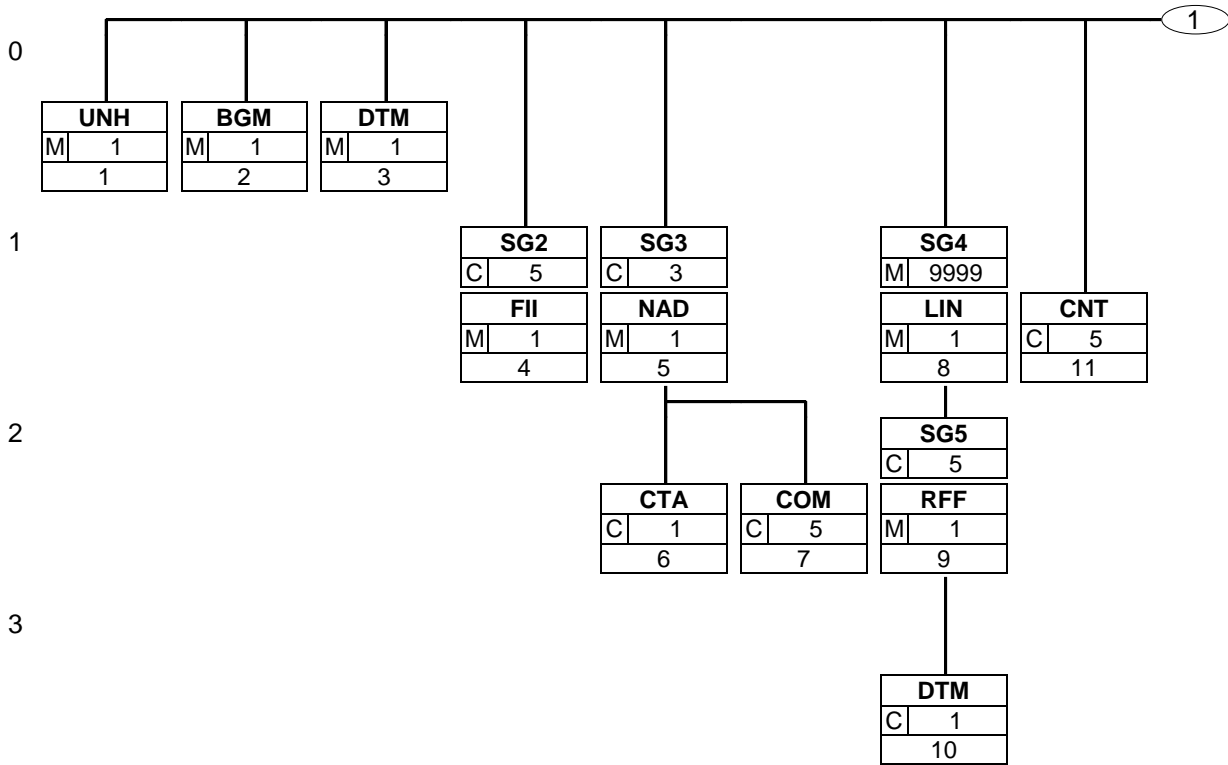
Financial Cancellation Detail Section

SG4		M	9999	- LIN-SG5
LIN	8	M	1	- Line item
SG5		C	5	- RFF-DTM
RFF	9	M	1	- Reference
DTM	10	C	1	- Date/time/period

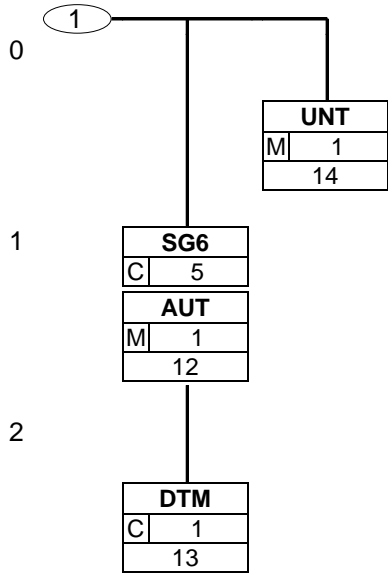
Financial Cancellation Summary Section

CNT	11	C	5	- Control total
SG6		C	5	- AUT-DTM
AUT	12	M	1	- Authentication result
DTM	13	C	1	- Date/time/period
UNT	14	M	1	- Message trailer

3. Branching Diagram



3. Branching Diagram



4. Segments Description

Financial Cancellation Heading Section

UNH - M 1	- Message header This segment is used to head, identify and specify a message.
BGM - M 1	- Beginning of message This segment is used to indicate the type and function of a message and to transmit the identifying number.
DTM - M 1	- Date/time/period This segment is used to specify the date of the financial cancellation message.
SG2 - C 5	- FII A group of segments identifying the financial institutions involved in the Financial Cancellation message.
FII - M 1	- Financial institution information This segment is used to identify the receiving financial institution of the financial cancellation.
SG3 - C 3	- NAD-CTA-COM A group of segments identifying the parties involved in the exchange of the message and their contacts.
NAD - M 1	- Name and address This segment is used to identify the ordering customer sending the financial cancellation message.
CTA - C 1	- Contact information This segment is used to identify the department or person within the party identified in the NAD segment.
COM - C 5	- Communication contact This segment is used to identify the communications number and the type of communications used for the person identified in the CTA segment.

Financial Cancellation Detail Section

SG4 - M 9999	- LIN-SG5 A group of segments identifying a message or transaction to be cancelled.
LIN - M 1	- Line item This segment is used to identify a line within the financial cancellation by means of an incrementing unique line number.
SG5 - C 5	- RFF-DTM A group of segments specifying reference numbers, dates and/or times needed to identify a referenced message or transaction.
RFF - M 1	- Reference This segment is used to identify the message(s) or transaction(s) which is (are) to be cancelled.
DTM - C 1	- Date/time/period This segment is used to specify any dates related to the references given in the previous RFF segment.

Financial Cancellation Summary Section

CNT - C 5	- Control total This segment is used to provide application data for message control purposes.
-----------	---

4. Segments Description

SG6 - C 5	- AUT-DTM A segment specifying the details of any authentication (validation) procedure applied to the Financial Cancellation message.
AUT - M 1	- Authentication result This segment is used to provide details of any authentication procedures which have been applied to the financial cancellation message. The use of this segment is, including any algorithms and calculation procedures, dependent on bilaterally agreed conditions between the message sender and receiver.
DTM - C 1	- Date/time/period This segment is used to provide details related to the date and where necessary, the time, of the financial cancellation message validation.
UNT - M 1	- Message trailer This segment is a mandatory UN/EDIFACT segment. It must always be the last segment in the message.

5. Segments Layout

This section describes each segment used in the EANCOM® Financial Cancellation message. The original EDIFACT segment layout is listed. The appropriate comments relevant to the EANCOM® subset are indicated.

Notes:

1. The segments are presented in the sequence in which they appear in the message. The segment or segment group tag is followed by the (M)andatory / (C)onditional indicator, the maximum number of occurrences and the segment description.
2. Reading from left to right, in column one, the data element tags and descriptions are shown, followed by in the second column the EDIFACT status (M or C), the field format, and the picture of the data elements. These first pieces of information constitute the original EDIFACT segment layout.

Following the EDIFACT information, EANCOM® specific information is provided in the third, fourth, and fifth columns. In the third column a status indicator for the use of (C)onditional EDIFACT data elements (see 2.1 through 2.3 below), in the fourth column the restricted indicator (see point 3 on the following page), and in the fifth column notes and code values used for specific data elements in the message.

- 2.1 (M)andatory data elements in EDIFACT segments retain their status in EANCOM®.
- 2.2 Additionally, there are five types of status for data elements with a (C)onditional EDIFACT status, whether for simple, component or composite data elements. These are listed below and can be identified when relevant by the following abbreviations:

- REQUIRED	R	Indicates that the entity is required and must be sent.
- ADVISED	A	Indicates that the entity is advised or recommended.
- DEPENDENT	D	Indicates that the entity must be sent in certain conditions, as defined by the relevant explanatory note.
- OPTIONAL	O	Indicates that the entity is optional and may be sent at the discretion of the user.
- NOT USED	N	Indicates that the entity is not used and should be omitted.

- 2.3 If a composite is flagged as **N, NOT USED**, all data elements within that composite will have blank status indicators assigned to them.
3. Status indicators detailed in the fourth column which directly relate to the code values detailed in the fifth **column** may have two values:

- RESTRICTED	*	A data element marked with an asterisk (*) in the fourth column indicates that the listed codes in column five are the only codes available for use with this data element, in this segment, in this message.
- OPEN		All data elements where coded representation of data is possible and a restricted set of code values is not indicated are open (no asterisk in fourth column). The available codes are listed in the EANCOM® Data Elements and Code Sets Directory. Code values may be given as examples or there may be a note on the format or type of code to be used.

4. Different colours are used for the code values in the segment details: restricted codes are in red and open codes in blue.

5. Segments Layout

Segment number: 1

UNH - M 1 - Message header					
Function: To head, identify and specify a message.					
		EDIFACT	GS1	*	Description
0062	Message reference number	M an..14	M		Senders unique message reference. Sequence number of messages in the interchange. DE 0062 in UNT will have the same value. Generated by the sender.
S009	MESSAGE IDENTIFIER	M	M		
0065	Message type	M an..6	M	*	FINCAN = Financial cancellation message
0052	Message version number	M an..3	M	*	D = Draft version/UN/EDIFACT Directory
0054	Message release number	M an..3	M	*	01B = Release 2001 - B
0051	Controlling agency	M an..2	M	*	UN = UN/CEFACT
0057	Association assigned code	C an..6	R	*	EAN003 = GS1 version control number (GS1 Permanent Code) Indicates that the message is the EANCOM version 003 of the UNSM Financial Cancellation.
0068	Common access reference	C an..35	N		
S010	STATUS OF THE TRANSFER	C	N		
0070	Sequence of transfers	M n..2			
0073	First and last transfer	C a1			
<p>Segment Notes:</p> <p>This segment is used to head, identify and specify a message. DE's 0065, 0052, 0054, and 0051: Indicate that the message is a UNSM Financial Cancellation based on the D. 01B directory under the control of the United Nations.</p> <p>Example: UNH+1+FINCAN:D:01B:UN:EAN003'</p>					

5. Segments Layout

Segment number: 2

BGM - M 1 - Beginning of message					
Function: To indicate the type and function of a message and to transmit the identifying number.					
		EDIFACT	GS1	*	Description
C002	DOCUMENT/MESSAGE NAME	C	R		
1001	Document name code	C an..3	R	*	213 = Request for financial cancellation
1131	Code list identification code	C an..17	N		
3055	Code list responsible agency code	C an..3	N		
1000	Document name	C an..35	N		
C106	DOCUMENT/MESSAGE IDENTIFICATION	C	R		
1004	Document identifier	C an..35	R		Cancellation Number assigned by document sender. For global unique identification of documents Global Document Type Identifier (GDTI) is available.
1056	Version identifier	C an..9	N		
1060	Revision identifier	C an..6	N		
1225	Message function code	C an..3	R	*	9 = Original
4343	Response type code	C an..3	N		
Segment Notes: This segment is used to indicate the type and function of a message and to transmit the identifying number. Example: BGM+213::17+47+9'					

5. Segments Layout

Segment number: 3

DTM - M 1 - Date/time/period		EDIFACT	GS1	*	Description
Function: To specify date, and/or time, or period.					
C507	DATE/TIME/PERIOD	M	M		
2005	Date or time or period function code qualifier	Man..3	M	*	137 = Document/message date/time
2380	Date or time or period value	C an..35	R		
2379	Date or time or period format code	C an..3	R		102 = CCYYMMDD
Segment Notes: This segment is used to specify the date of the financial cancellation message. DE 2005: Identification of the 'Document/message date/time' (code value 137) is mandatory in an EANCOM message. Example: DTM+137:20021008:102'					

5. Segments Layout

Segment number: 4

SG2	- C	5 - FII			
FII	- M	1 - Financial institution information			
Function:					
To identify an account and a related financial institution.					
		EDIFACT	GS1	*	Description
3035	Party function code qualifier	M an..3	M	*	MR = Message recipient
C078	ACCOUNT HOLDER IDENTIFICATION	C	N		
3194	Account holder identifier	C an..35			
3192	Account holder name	C an..35			
3192	Account holder name	C an..35			
6345	Currency identification code	C an..3			
C088	INSTITUTION IDENTIFICATION	C	R		
3433	Institution name code	C an..11	A		
1131	Code list identification code	C an..17	O		25 = Bank identification
3055	Code list responsible agency code	C an..3	D		5 = ISO (International Organization for Standardization)
3434	Institution branch identifier	C an..17	O		
1131	Code list identification code	C an..17	O		
3055	Code list responsible agency code	C an..3	D		
3432	Institution name	C an..70	O		
3436	Institution branch location name	C an..70	O		
3207	Country name code	C an..3	O		ISO 3166 two alpha code
Segment Notes:					
<p>This segment is used to identify the receiving financial institution of the financial cancellation. The preferred way to identify a bank and its branch is in machine readable format using data elements 3433 and 3434. When using C088 it is recommended that if data element 3433 is not used that 3432 be used, and that when data element 3434 is not used that data element 3436 be used.</p>					
<p>Example: FII+MR++KREDBEBB:25:5'</p>					

5. Segments Layout

Segment number: 5

SG3	- C	3 - NAD-CTA-COM			
NAD	- M	1 - Name and address			
Function:					
To specify the name/address and their related function, either by C082 only and/or unstructured by C058 or structured by C080 thru 3207.					
	EDIFACT	GS1	*	Description	
3035	Party function code qualifier	M an..3	M	*	OY = Ordering customer
C082	PARTY IDENTIFICATION DETAILS	C	A		
3039	Party identifier	M an..35	M		For identification of parties it is recommended to use GLN - Format n13.
1131	Code list identification code	C an..17	N		
3055	Code list responsible agency code	C an..3	R	*	9 = GS1
C058	NAME AND ADDRESS	C	O		This composite may only be used to fulfill the requirements of directive 2003/58/EC, article 4.
3124	Name and address description	M an..35	M		
3124	Name and address description	C an..35	O		
3124	Name and address description	C an..35	O		
3124	Name and address description	C an..35	O		
3124	Name and address description	C an..35	O		
C080	PARTY NAME	C	D		
3036	Party name	M an..35	M		Party Name in clear text.
3036	Party name	C an..35	O		
3036	Party name	C an..35	O		
3036	Party name	C an..35	O		
3036	Party name	C an..35	O		
3045	Party name format code	C an..3	O		
C059	STREET	C	D		
3042	Street and number or post office box identifier	M an..35	M		Building Name/Number and Street Name
3042	Street and number or post office box identifier	C an..35	O		
3042	Street and number or post office box identifier	C an..35	O		
3042	Street and number or post office box identifier	C an..35	O		
3164	City name	C an..35	D		City/Town name, clear text
C819	COUNTRY SUB-ENTITY DETAILS	C	D		
3229	Country sub-entity name code	C an..9	O		
1131	Code list identification code	C an..17	O		
3055	Code list responsible agency code	C an..3	O		

5. Segments Layout

Segment number: 5

	EDIFACT	GS1	*	Description
3228 Country sub-entity name	C an..70	O		County/State, clear text.
3251 Postal identification code	C an..17	D		Postal Code
3207 Country name code	C an..3	D		ISO 3166 two alpha code

Segment Notes:

This segment is used to identify the ordering customer sending the financial cancellation message.

Example:

NAD+OY+5412345000020::9'

Dependency Notes :

The following composites and data elements are only used when a coded name and address can not be used.

The affected composites and data elements are as follows:

C080 - C059 - 3164 - C819 - 3251 - 3207

5. Segments Layout

Segment number: 6

SG3	- C	3 - NAD-CTA-COM		
CTA	- C	1 - Contact information		
Function:				
To identify a person or a department to whom communication should be directed.				
	EDIFACT	GS1	*	Description
3139	Contact function code	C an..3	R	IC = Information contact
C056	DEPARTMENT OR EMPLOYEE DETAILS	C	O	
3413	Department or employee name code	C an..17	O	
3412	Department or employee name	C an..35	O	
Segment Notes:				
This segment is used to identify the department or person within the party identified in the NAD segment.				
Example:				
CTA+IC+:MARK CARTER'				

5. Segments Layout

Segment number: 7

SG3	- C	3 - NAD-CTA-COM			
COM	- C	5 - Communication contact			
Function:					
To identify a communication number of a department or a person to whom communication should be directed.					
		EDIFACT	GS1	*	Description
C076	COMMUNICATION CONTACT	M	M		
3148	Communication address identifier	Man..512	M		
3155	Communication address code qualifier	Man..3	M		EM = Electronic mail TE = Telephone AO = Uniform Resource Location (URL)
Segment Notes:					
This segment is used to identify the communications number and the type of communications used for the person identified in the CTA segment.					
Example: COM+00448132445322:TE'					

5. Segments Layout

Segment number: 8

SG4	- M	9999 - LIN-SG5			
LIN	- M	1 - Line item			
Function:					
To identify a line item and configuration.					
		EDIFACT	GS1	*	Description
1082	Line item identifier	C an..6	R		Application generated number of the count of the lines in the financial cancellation.
1229	Action request/notification description code	C an..3	N		
C212	ITEM NUMBER IDENTIFICATION	C	N		
7140	Item identifier	C an..35			
7143	Item type identification code	C an..3			
1131	Code list identification code	C an..17			
3055	Code list responsible agency code	C an..3			
C829	SUB-LINE INFORMATION	C	N		
5495	Sub-line indicator code	C an..3			
1082	Line item identifier	C an..6			
1222	Configuration level number	C n..2	N		
7083	Configuration operation code	C an..3	N		
Segment Notes:					
This segment is used to identify a line within the financial cancellation by means of an incrementing unique line number.					
If Global Trade Item Numbers are available it is mandatory to use GTIN within the LIN segment.					
Note: For each B level which is to be cancelled the LIN segment group must be repeated.					
Example:					
LIN+1'					

5. Segments Layout

Segment number: 9

SG4	- M	9999 - LIN-SG5		
SG5	- C	5 - RFF-DTM		
RFF	- M	1 - Reference		
Function:				
To specify a reference.				
	EDIFACT	GS1	*	Description
C506	REFERENCE	M	M	
1153	Reference code qualifier	Man..3	M	*
				<p>AEK = Payment order number CR = Customer reference number</p> <p>The code value 'AEK' is used to identify the B level of a previously sent Payment Order or Direct Debit message which is to be cancelled. The unambiguous identification of the B level is not possible without the identification of the message (codes DDR and PYR) in which the B level exists.</p> <p>The code value 'CR' is used to identify the C level of a previously sent Payment Order or Direct Debit message which is to be cancelled. The unambiguous identification of the C level is not possible without the identification of the message (codes DDR and PYR), and the B level (code AEK), in which the C level exists.</p>
1154	Reference identifier	C an..70	R	
1156	Document line identifier	C an..6	N	
4000	Reference version identifier	C an..35	N	
1060	Revision identifier	C an..6	N	
Segment Notes:				
This segment is used to identify the message(s) or transaction(s) which is (are) to be cancelled.				
Example:				
RFF+AEK:439912'				
Cancel payment order number 439912.				
RFF+CR:3'				
Cancel the C level number 3 from the payment order number 439912.				

5. Segments Layout

Segment number: 10

SG4	- M	9999 - LIN-SG5			
SG5	- C	5 - RFF-DTM			
DTM	- C	1 - Date/time/period			
Function: To specify date, and/or time, or period.					
		EDIFACT	GS1	*	Description
C507	DATE/TIME/PERIOD	M	M		
2005	Date or time or period function code qualifier	M an..3	M	*	171 = Reference date/time
2380	Date or time or period value	C an..35	R		
2379	Date or time or period format code	C an..3	R		102 = CCYYMMDD
Segment Notes: This segment is used to specify any dates related to the references given in the previous RFF segment.					
Example: DTM+171:20020804:102'					

5. Segments Layout

Segment number: 11

CNT - C 5 - Control total				
Function: To provide control total.				
	EDIFACT	GS1	*	Description
C270 CONTROL	M	M		
6069 Control total type code qualifier	Man..3	M		2 = Number of line items in message
6066 Control total value	Mn..18	M		
6411 Measurement unit code	C an..3	O		
Segment Notes: This segment is used to provide application data for message control purposes. Example: CNT+2:14'				

5. Segments Layout

Segment number: 12

SG6	- C	5 - AUT-DTM			
AUT	- M	1 - Authentication result			
Function:					
To specify results of the application of an authentication procedure.					
		EDIFACT	GS1	*	Description
9280	Validation result value	M an..35	M		
9282	Validation key identifier	C an..35	O		This data element is used to identify the key which is/has been used to validate the contents of the message.
Segment Notes:					
This segment is used to provide details of any authentication procedures which have been applied to the financial cancellation message. The use of this segment is, including any algorithms and calculation procedures, dependent on bilaterally agreed conditions between the message sender and receiver.					
Example:					
AUT+77322'					

5. Segments Layout

Segment number: 13

SG6	- C	5 - AUT-DTM			
DTM	- C	1 - Date/time/period			
Function:					
To specify date, and/or time, or period.					
		EDIFACT	GS1	*	Description
C507	DATE/TIME/PERIOD	M	M		
2005	Date or time or period function code qualifier	Man..3	M	*	218 = Authentication/validation date/time
2380	Date or time or period value	C an..35	R		
2379	Date or time or period format code	C an..3	R		102 = CCYYMMDD 203 = CCYYMMDDHHMM
Segment Notes:					
This segment is used to provide details related to the date and where necessary, the time, of the financial cancellation message validation.					
Example:					
DTM+218:200202031245:203'					
The financial cancellation was validated at 12:45 pm on the 3rd of February 2002.					

5. Segments Layout

Segment number: 14

UNT - M 1 - Message trailer					
Function: To end and check the completeness of a message.					
		EDIFACT	GS1	*	Description
0074	Number of segments in the message	M n..6	M		The total number of segments in the message is detailed here.
0062	Message reference number	M an..14	M		The message reference numbered detailed here should equal the one specified in the UNH segment.
Segment Notes: This segment is a mandatory UN/EDIFACT segment. It must always be the last segment in the message. Example: UNT+14+1'					

6. Examples

The following is an example of a financial cancellation message sent by the party ABC Express to the General bank.

The message, identified by the number 51, was generated on the 10th of August 2002 requests the cancellation of the Payment Order Number 68132.

UNH+ME00000001+FINCAN:D:01B:UN:EAN00B'	Message header
BGM+213+51+9'	Financial cancellation number 51
DTM+137:20020810:102'	Message date 10th August 2002
FII+MR++GENBBELG:25:5'	Messages receiver identified by bank identification code
NAD+OY+++ABC EXPRESS'	Ordering customer ABC Express
LIN+1'	Start of detail section
RFF+AEK:68132'	Payment order reference number 68132
CNT+2:1'	One LIN segment in the message
UNT+9+ME00000001'	Total number of segments in the message equals 9

Note :

The EDI interchange will include the UNB..UNZ segments and, if applicable, the UNG..UNE segments. (See part 1 section 5.7).